

PRODUCT INTRODUCTION

WNK80MA is a ceramic pressure sensor designed for general industrial and commercial use with a wide range of applications.

Using ASIC signal conditioning chip and dry ceramic capacitor pressure sensor, it has the characteristics of anti-corrosion, anti-wear, anti-shock and vibration. In addition, the ceramic capacitor pressure sensor has high temperature stability and time stability, and can be in direct contact with most media.



APPLICATION



**WATER
PRESSURE**



**AIR
PRESSURE**



**OIL
PRESSURE**



**AGRICULTURAL
IRRIGATION**



FOOD



MEDICINE



HVAC



REFRIGERANT

FEATURES

- Multiple Process Connection Options – Ease of installation.
- 1% Typical Accuracy – Offers superior accuracy which can work well for critical applications.
- Factory Calibrated – No need for field calibration. Plug and play reliability.
- Rugged, Compact Design – Easy to package or install.
- OEM/ODM Available – Adaptable to special needs.
- IP65 UL listed, RoHS, and CE compliant.
- 12 Months warranty.



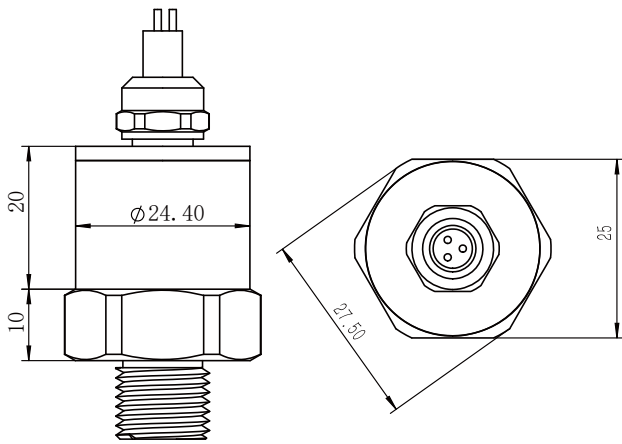
SPECIFICATION PARAMETERS

Model	WNK80MA
Type	Gauge pressure Seal pressure
Range	0-60bar
Overload pressure	150%
Failure pressure	200%
Signal output	0.5-4.5V I2C 4-20mA 1-5V 0-10V Others
Scope of power supply	5V 3.3-5V 12-30V 9-30V 12-30V
Zero temperature drift	2%
Accuracy	1%FS
Acquisition frequency	2.4KHZ
Start time	150ms
Working temperature	-20~70°C
Storage temperature	-20~70°C
Protection level	IP65
Electrical connection	Cable outlet Mini DIN43650 GX12-3 Packard M12 4Pin
Process connection	G1/4 1/4NPT M20x1.5 M10x1 G1/8 1/8NPT 7/16-20UNF Female Other

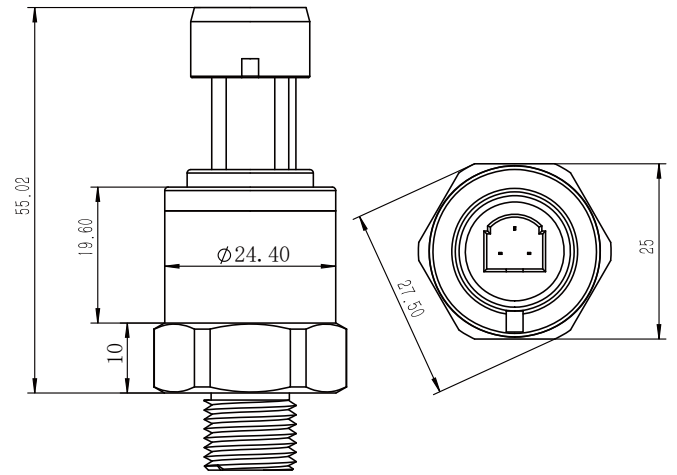
Output	0.5-4.5v	I2C	4-20mA	1-5V	0-10V
Supply Voltage	4.75-5.25v	3.3-5V	8-30V	9-30V	12-30V

PRODUCT SIZE

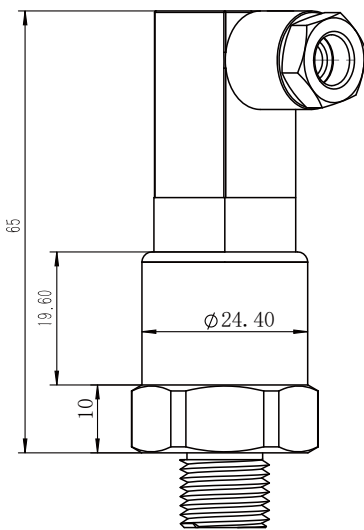
Unit:mm



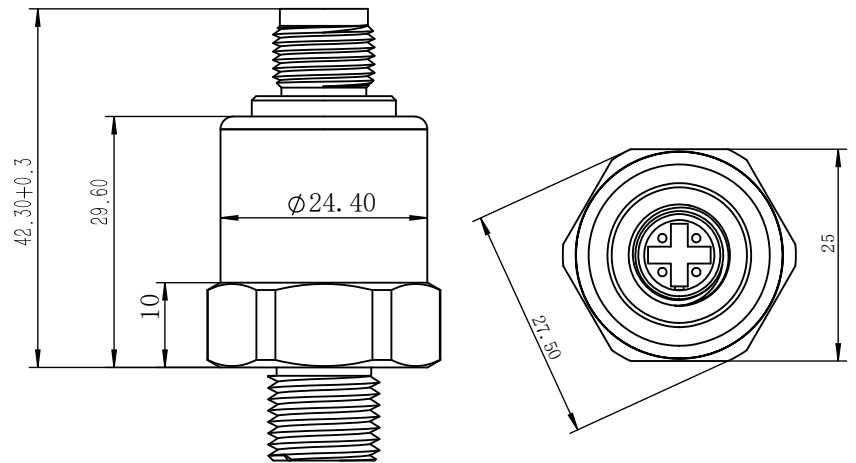
Cable outlet



Packard



Mini DIN43650



M12 4Pin

ELECTRICAL CONNECTION

Packard		M12 4Pin		Cable Outlet			Mini DIN43650		
C1		C2		C3			C4		
4-20mA	Voltage	4-20mA	Voltage	4-20mA	Voltage	I2C	4-20mA	Voltage	
Red/Pin1 Black/Pin2	VCC GND	Red/Pin1 Black/Pin2 Yellow/Pin3	VCC GND VOUT	Brown/Pin1 White/Pin2 Blue/Pin3	VCC GND VOUT	Red Black Yellow Black White	Red/Pin1 Black/Pin2 Yellow/Pin3	VCC GND VOUT	
		I2C	Brown/Pin1 White/Pin2 Blue/Pin3 Black/Pin4	VCC SCL GND SDA					

PROCESS CONNECTION

Thread	G1/4	1/4 NPT	G 1/8
Unit:mm The hexagon is 25mm			
Number	P1	P2	P3

Thread	1/8 NPT	M12x1.5	M10x1	7/16-20UNF Female
Unit:mm The hexagon is 25mm				
Number	P4	P5	P6	P7



SELECTION GUIDE

Pressure Type

Gauge pressrue	G
Sealing pressure	S

Range

10bar	A
20bar	B
30bar	C
40bar	D
50bar	E
60bar	F

Electrical Connector

Packard	C1
M12 4pin	C2
Cable outlet	C3
Mini DIN43650	C4
GX12-3	C5
Others	CX

Output

0.5-4.5V	1
4-20mA	2
I2C	3
0-10V	4
1-5V	5
Others	X

Process Connection

G1/4	P1
1/4 NPT	P2
G1/8	P3
1/8 NPT	P4
M12x1.5	P5
M10x1	P6
7/16-20UNF Female	P7
Others	PX

Code: G-A-C1-1-P1